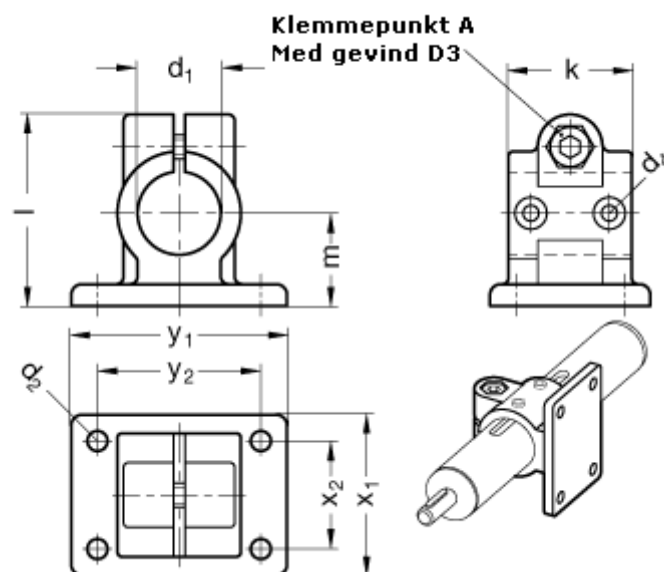


Article number: 201461G502SW

Description: E+G Flanged linear actuator
GN146.1-G50-2-SW

Measures



$d_1 = G50$	$x_2 = 62$
$d_2 = 11$	$y_1 = 128$
$d_3 = M10$	$y_2 = 98$
$d_4 = M10$	
$k = 65$	
$l = 95$	
$m = 50$	
$x_1 = 92$	